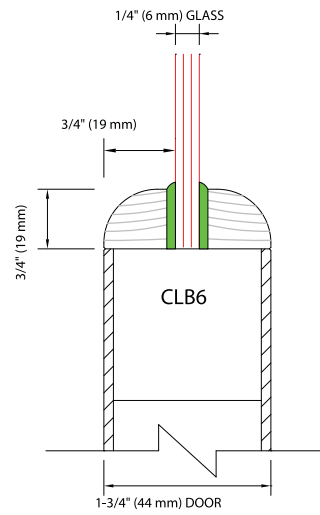
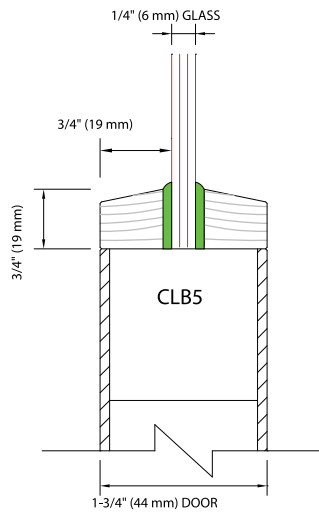
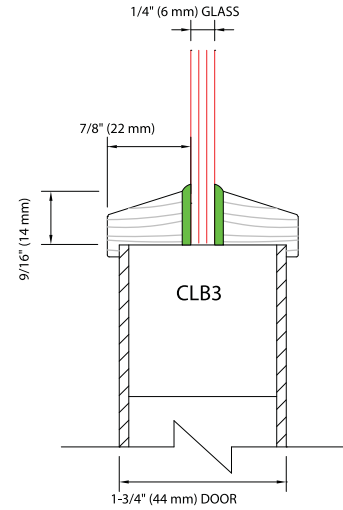
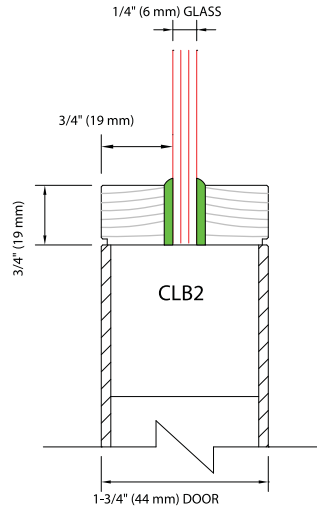
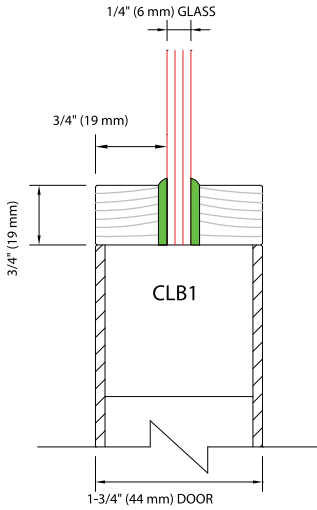




<b>Non-Rated Wood Lite Bead Details</b>	<b>F-1 to F-2</b>
<b>Non-Rated Lite Cut Out Details</b>	<b>F-3</b>
<b>Wood Louver Details</b>	<b>F-4</b>
<b>Non-Rated Wood Astragal Details</b>	<b>F-5</b>
<b>Rabbeted Edges</b>	<b>F-6</b>
<b>Radius Door Edges</b>	<b>F-7</b>



**Detail Use** For use in any Non-rated Series Doors.

**Order information** ORDER SIZE = Exposed glass, vision (W X H)  
CUTOUT SIZE = Order size + 1 5/8" (28 mm)  
GLASS SIZE = Cut out size – 1/8" (25.4 mm)

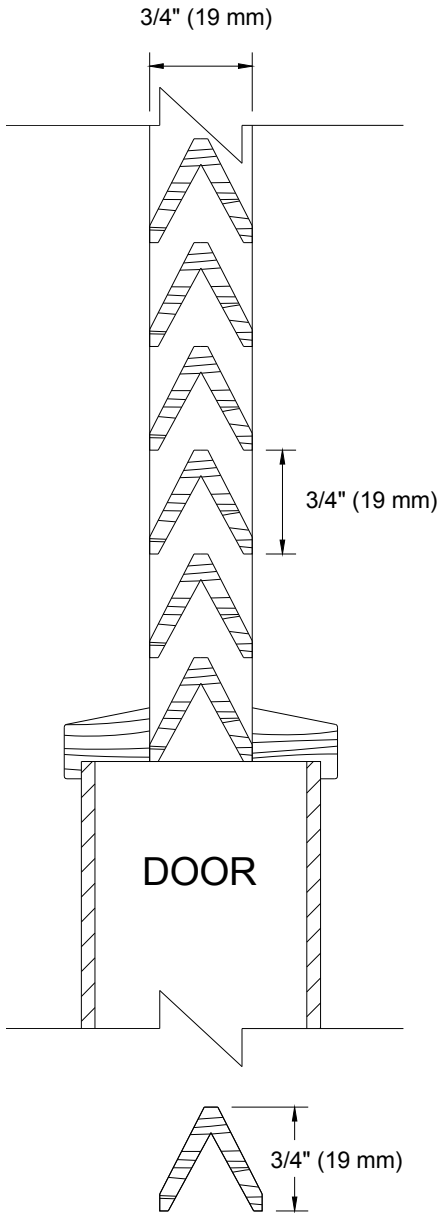
**Example** Vision required = 10" X 10"  
Cutout required = 11 5/8" X 11 5/8"  
Glass required = 11 1/2" X 11 1/2"

**Installation  
Instructions**

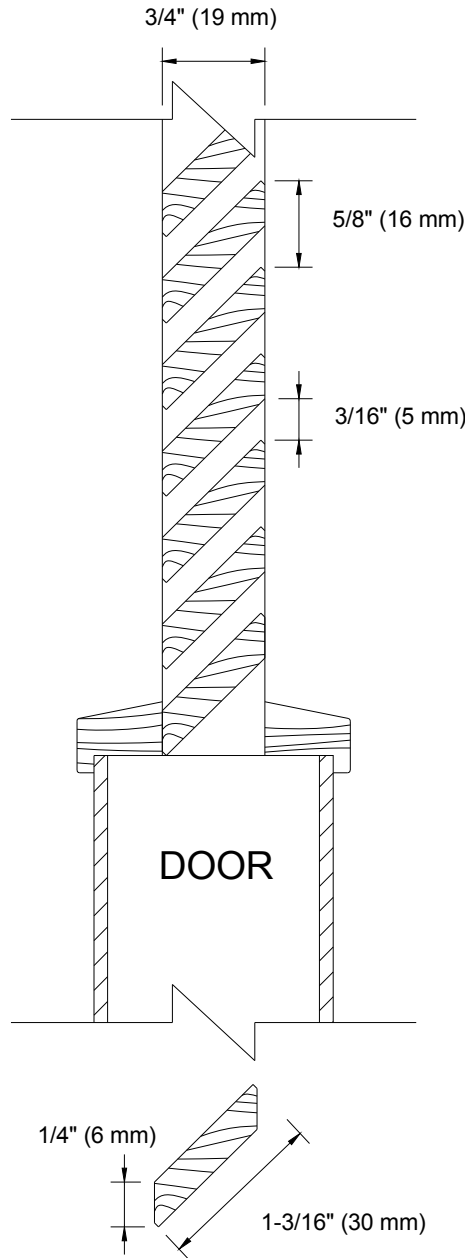
1. Confirm all required parts are present.
2. Remove temporarily fastened set of beads from the door.
3. Position the glass against the fixed wood bead that has silicone or glazing tape already applied.
4. Apply silicone or glazing tape to the perimeter of the exposed side of the glass.
5. Nail the remaining loose beads securely in place. (Avoid direct contact with glass).
6. Countersink all nails and fill holes with matching putty.
7. Apply the same finish to beads as what was applied to the door face.

**Notes** **Please remember to Order by vision size.**  
Silicone caulking or glazing tape must be supplied by others.

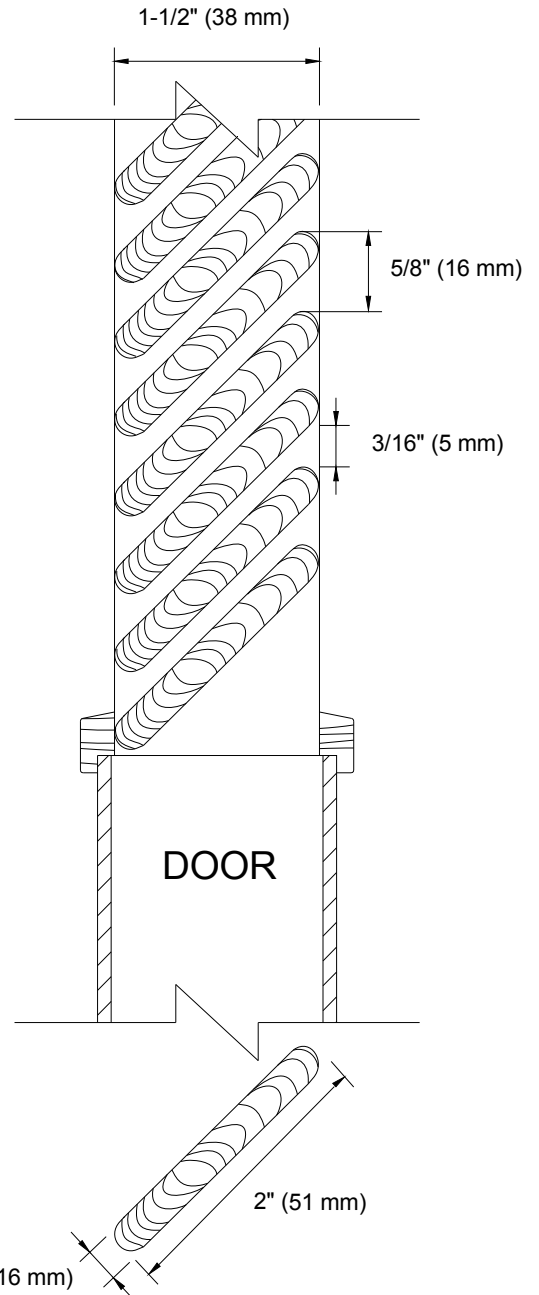
**CWL-CD**  
Chevron Design



**CWL-SD**  
Slat Design



**CWL-RSD**  
Round Slat Design



**Door Type** Particle Core (PC)  
Structure Composite Lumber (SCLC)

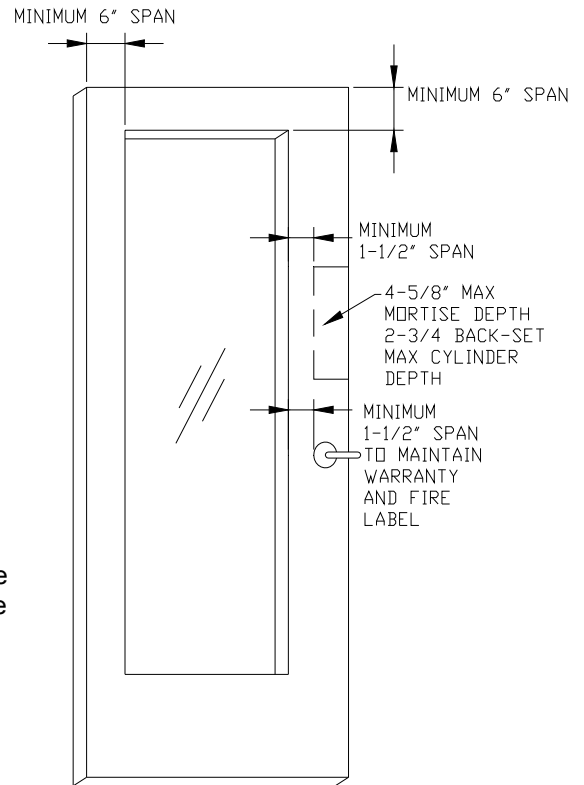
**Light Cut Out to Bottom of Door**  
Up to 7'0" (2134 mm) = 10" (254 mm)  
Over 7'0" (2134 mm) = 12" (305 mm)

**Light Cut Out to Edge of Door Min.**  
PC – 6" (72 mm)  
SCLC – 6" (72 mm)

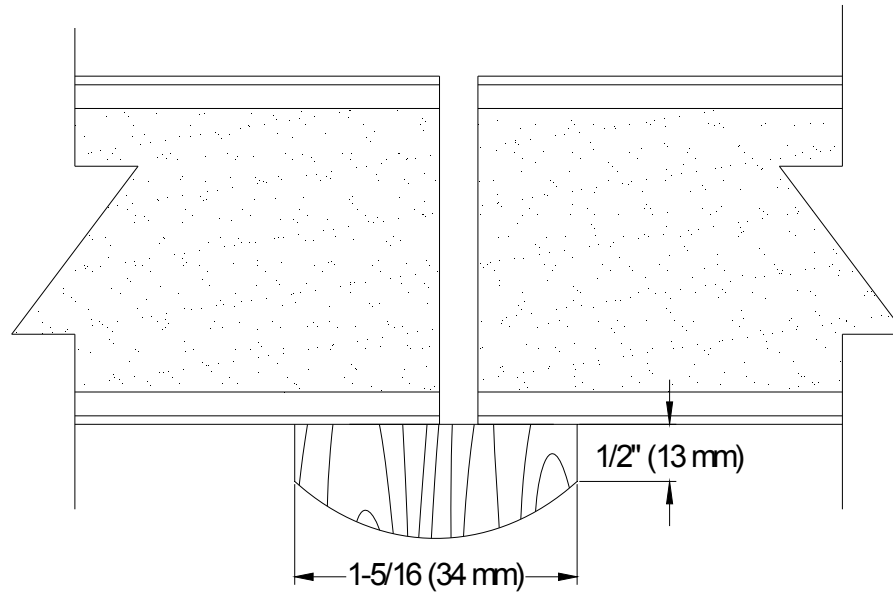
**Light Cut Out to Light Cut Out Min.**  
PC – 2-3/4" (70 mm)  
SCLC – 1-1/2" (38 mm)

**Light Cut Out To Hardware Cut Out min.**  
PC – 2-3/4" (70 mm)  
SCLC – 1-1/2" (38 mm)

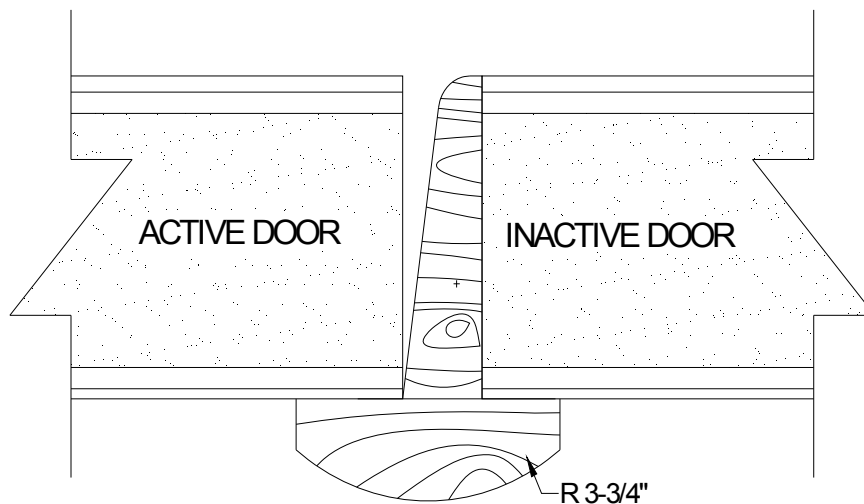
**Notes** Multiple vision lites are allowed, the gross total area is not to exceed the limits as stated above.



**FLAT ASTRAGAL**

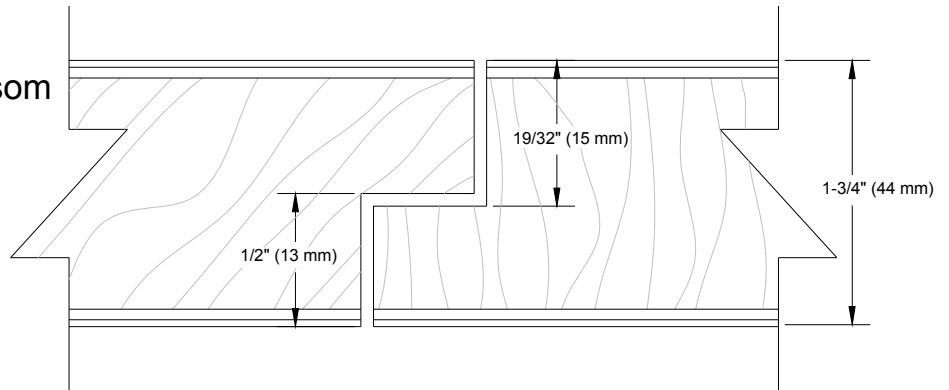


**“T” ASTRAGAL**

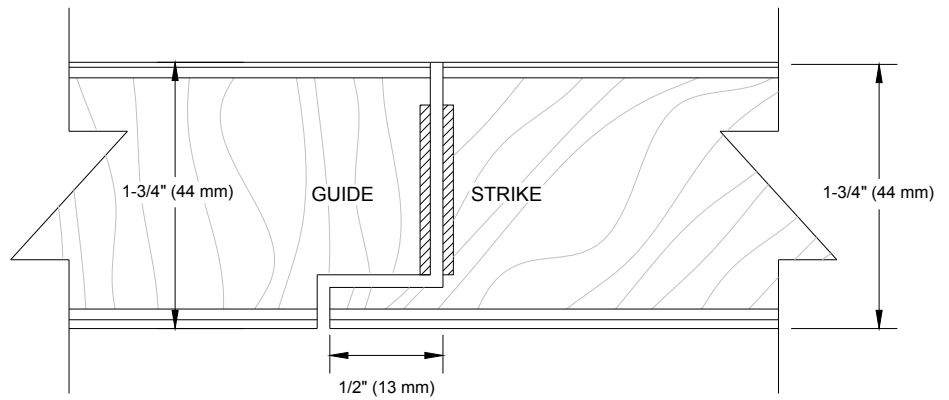




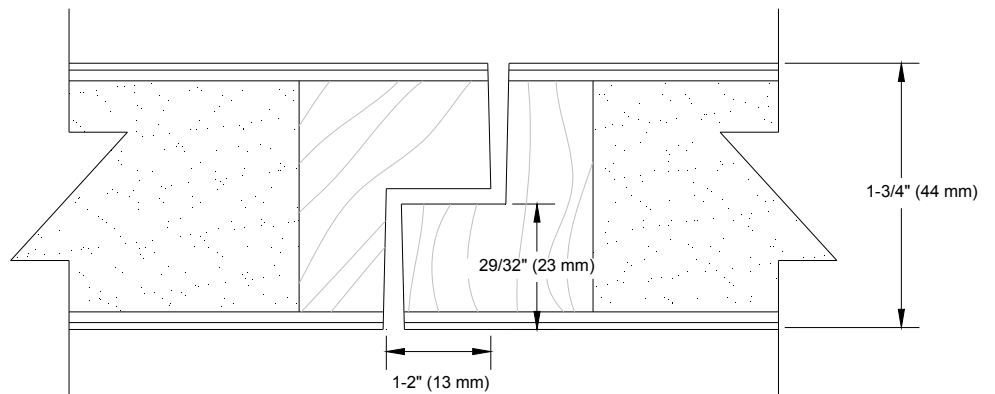
**Standard Rabbet**  
Between flush door and transom

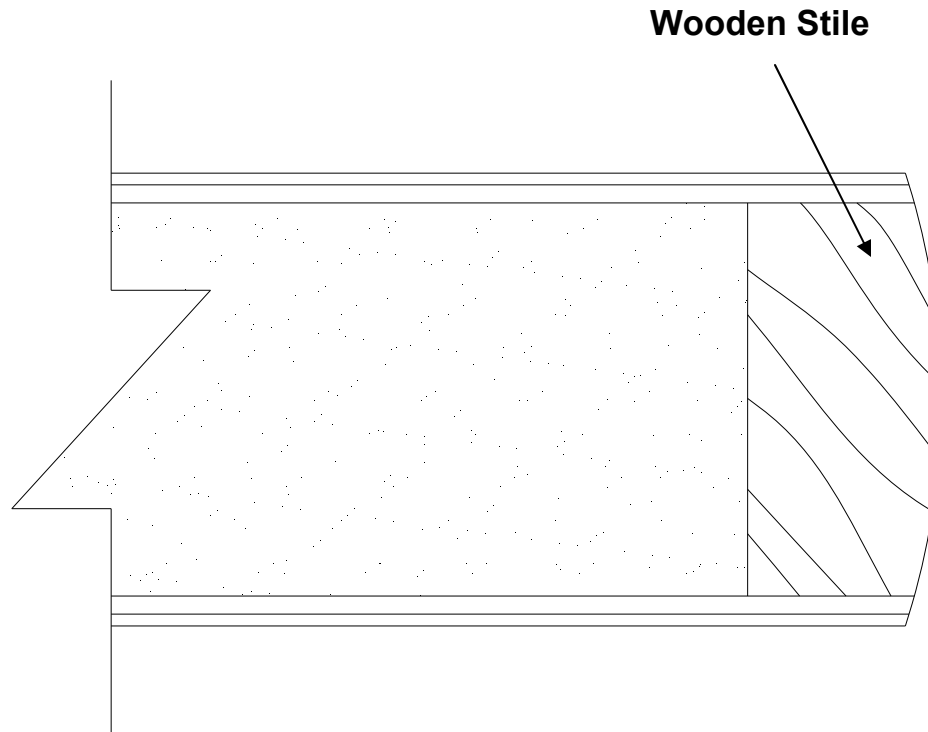


**Standard Rabbet**  
With flushbolt



**Rabbeted Meeting Edges**





<b>Detail Use</b>	For use in any Series Doors with pivot hardware
<b>Standard Radius</b>	2-5/8" (67 mm)
<b>Hardware Preparation</b>	All necessary hardware preparations are available.
<b>Notes</b>	Radius varies depending on door thickness. Order radius as required by pivot hardware.